

Modular Micro ZigBee / IEEE 802.15.4 System *Low Cost Sensor Network*

With the Modular Micro ZigBee you can

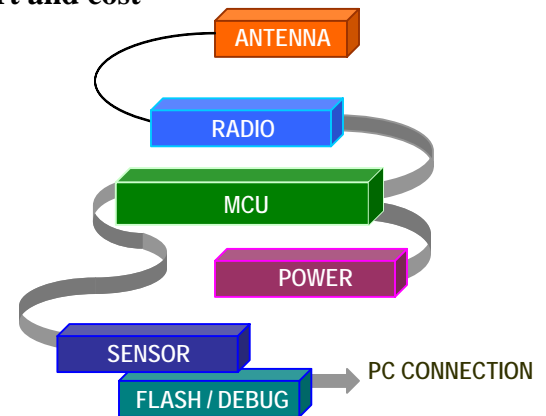
- ✓ Create end to end ZigBee / IEEE 802.15.4 system to fit almost any space in minutes
- ✓ Easily and quickly retrofit existing equipment without new hardware development
- ✓ Future upgrade modular system with simple remove and replace
- ✓ Evaluate key hardware components with minimal effort and cost

Who uses this System

- ✓ R & D
- ✓ Educational
- ✓ Product Development

The ZigBee / 802.15.4 System features

- ✓ Standardized interface between components
- ✓ Mix and match primary components
- ✓ One major component per printed circuit board
- ✓ Easily optimize antenna placement
- ✓ Micro flex variable length (1" to 10") cable connections
- ✓ Choose full ZigBee mesh, star or point to point topology with Renesas, Z-Stack or Talon firmware



Interchangeable Components of the System include the following

MCU	Radio	Antenna	Sensor (IEEE 1451.4 option)	Power (max life or max capacity)	Flash / Debug	PC
Renesas	Chipcon 2.4GHz	2.4GHz Chip (x 3)	Temp/ Pressure	Li-Ion 170mAh	JTAG	RS-232
Atmel	ZMD 900MHz	900MHz Chip (x 3)	Data Acquisition	Li-Ion 520mAh	Proprietary	USB
TI	Freescale 2.4GHz	Trace (x 2)	3-axis Accel.	Thin Film 36mAh		
PIC	Bluetooth	SMA	Humidity	USB		

About Talon Communications

Talon Communications was created to provide best in class Engineering Design and Manufacturing and to build novel Industrial and Consumer ZigBee / IEEE 802.15.4 based wireless products. You can learn more about Talon Communications, Inc. on the Internet at: <http://www.taloncom.com/>

Talon Communications, Inc. 7795 Arjons Drive. Ste. 201 San Diego, CA 92126
858-653-0100 Office 858-764-2891 Fax www.taloncom.com

Copyright © Talon Communications, Inc. 2002,2003,2004,2005,2006. The names of actual companies and products mentioned herein may be the trademarks of their respective owners. All rights reserved.